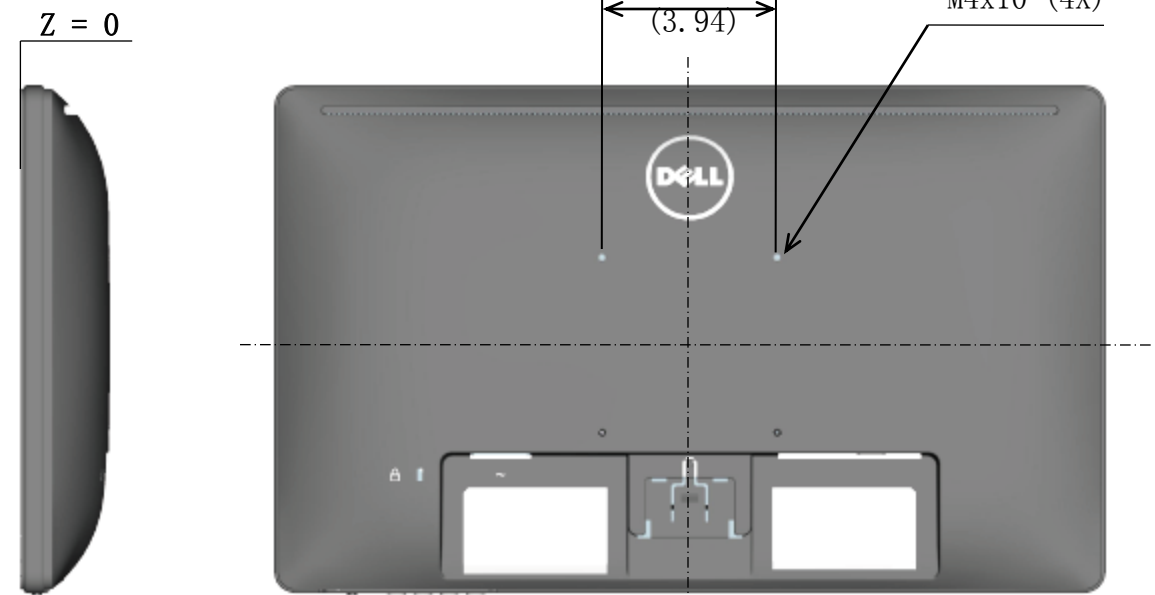
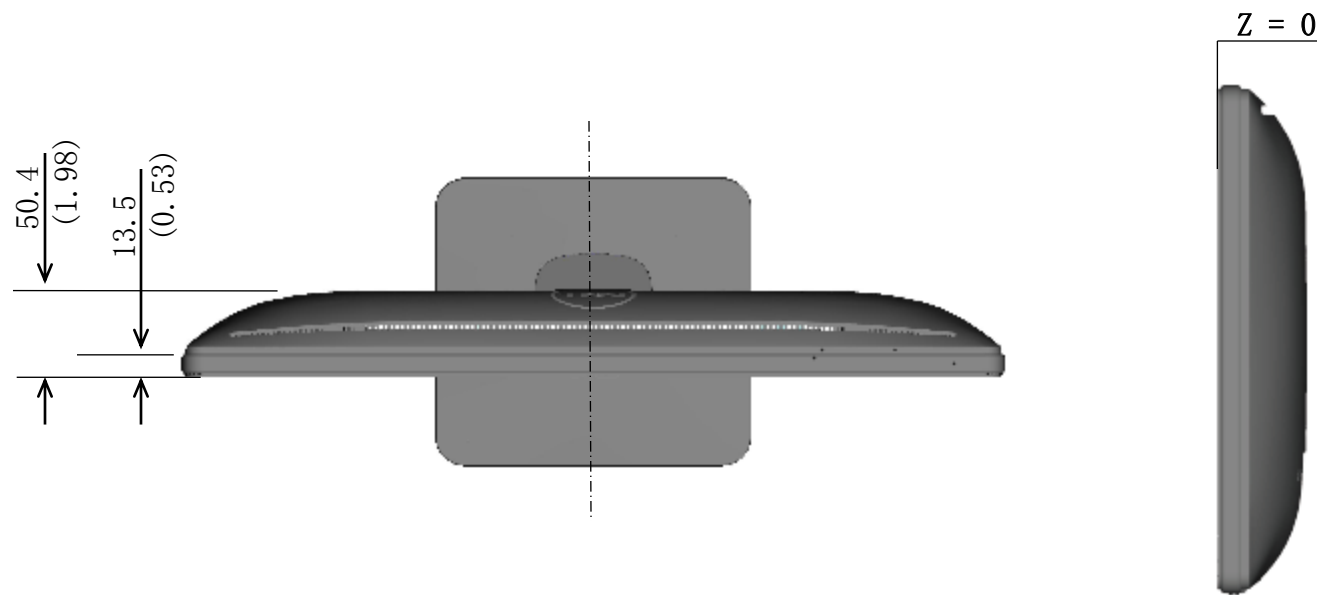


D2215H Outline Dimension

Unit : mm (inch)
 Dimension : Nominal
 Drawing : Not to scale



Back view of Monitor without stand

